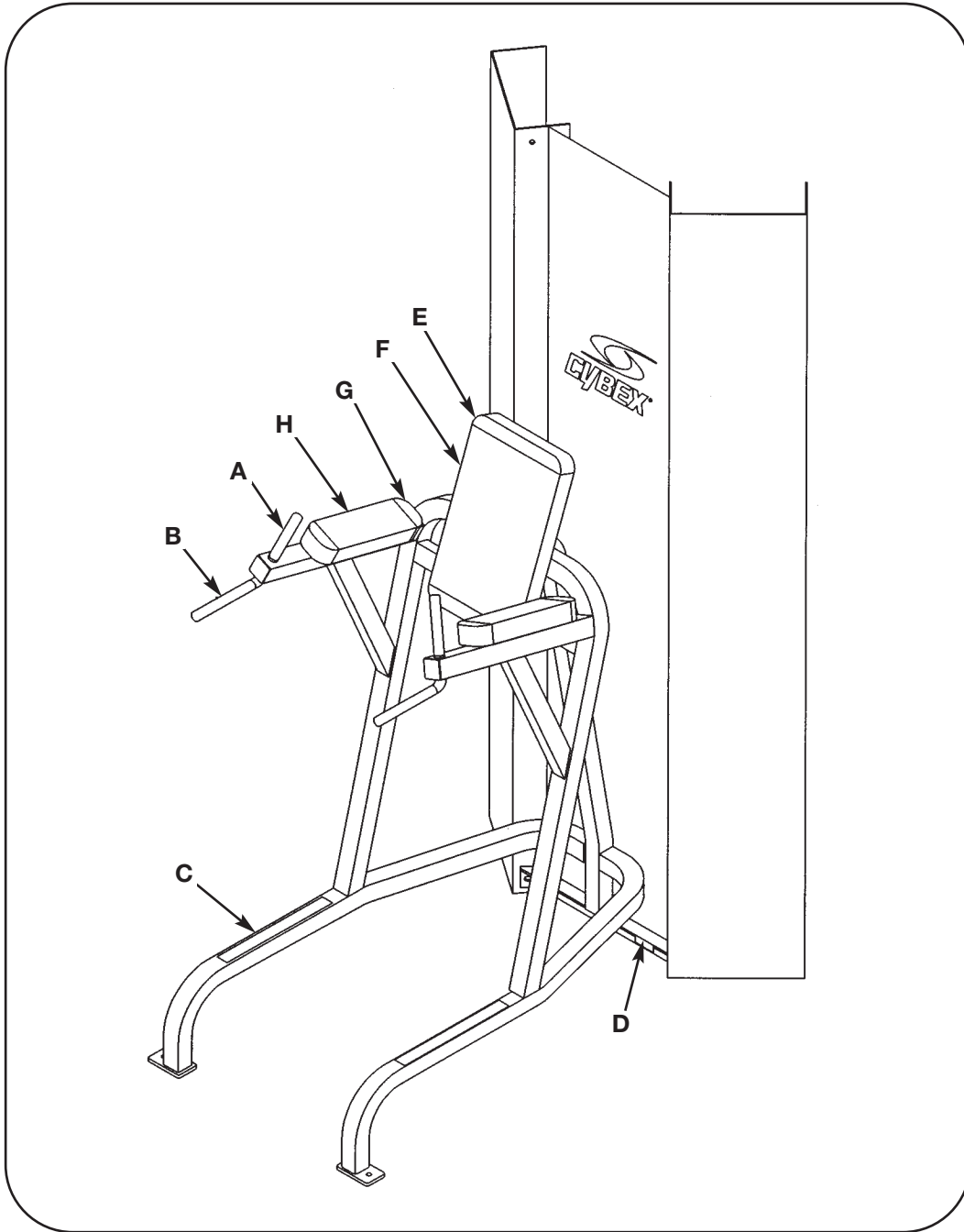


MODULAR LEG RAISE CHAIR

5645

ASSEMBLY & PARTS



DESCRIPTION	PART NO.	DESCRIPTION	PART NO.
A. Foam Grip.....	4050M025	F. Wear Cover	4111S060-0
B. Foam Grip.....	4055M028	G. Arm Cushion With Wear Cover (Item H)	5530-003-0
C. Non-Slip Fabric.....	4000M197	H. Wear Cover	5530-311-0
D. Serial Number Decal			
E. Back Cushion With Wear Cover (Item F).....	4800-011		
Upholstery Hardware Pack	5525-003		

5645 - Leg Raise Chair

ITEM	QTY	PART NO.	DESCRIPTION
1	1	02482	Leg Raise Chair Frame
2	2	HN784000	Hex Nut .50-13
3	2	JC780417	BHSCS .50-13 x 1.00
4	2	JS388300	Lockwasher .50
5	2	PP090210	Plastic Insert 2.00 Sq X 10-14G
6	2	HC700417	BHSCS .375-16 x 1.00
7	4	JC700434	BHSCS .375-16 x 3.00
8	1	4800-011	Back Cushion
9	2	5530-003-0	Arm Cushion
10	2	5530-311-0	Wear Cover
11	1	4111S060-0	Wear Cover
12	2	4050M025	Foam Grip 6.00
13	2	4055M028	Foam Grip 8.00
14	2	4000M197	Non-Slip Fabric

Assembly Notes

1. Keep all shipping packages near area of installation.
Standard shipping items include:
 - Leg Raise Chair Package - 5645-50
 - Cushion Box Assembly - 5530-004-0
2. Follow assembly guidelines listed on the 5600 Modular Center Post Assembly & Parts instruction sheet, part number 55600.

NOTE: This machine shipped with an Owner's Manual. Additional copies can be obtained by contacting your dealer or a Cybex Representative at 1-888-462-9239.

